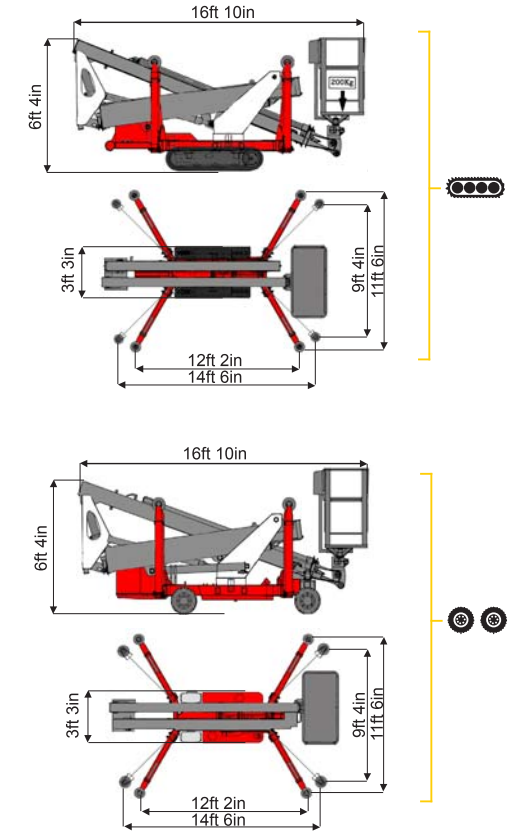
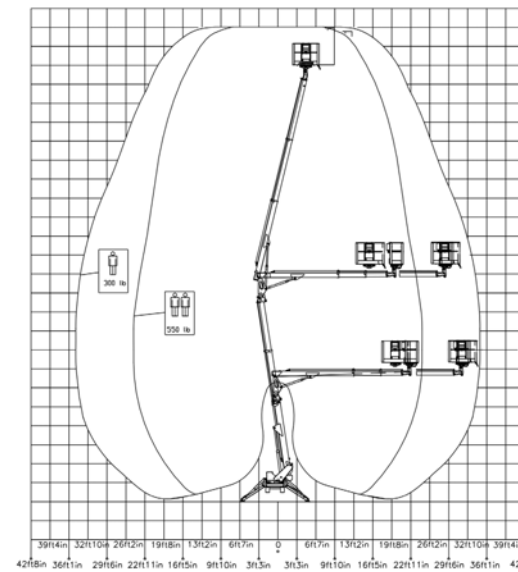




82ft ↑
34ft 9in →
550 lb 👤 👤



| BI-ENERGY Diesel+AC | | | | | | | | | | | | | | | | |
|------------------------|--|--|------|----------|--------|------|-----------------|---------|------------------|-----|-----|----------|---------|---------|----------|--------|
| TZX 820/C | | | 82ft | 34ft 9in | 550 lb | 360° | 4ft 7inx2ft 4in | 90°+90° | 9ft 4in-11ft 6in | 19% | 23% | 1,49 mph | 5864 lb | 4299 lb | 41,9 psf | 76 psf |
| TZX 820/R | | | 82ft | 34ft 9in | 550 lb | 360° | 4ft 7inx2ft 4in | 90°+90° | 9ft 4in-11ft 6in | 19% | 21% | 0,93 mph | 5864 lb | 4299 lb | 41,9 psf | 76 psf |

Available version:

BI-ENERGY (DIESEL+AC)
ECO (DC+AC)

Characteristics and technical data are informative only and subjected to change without notice.